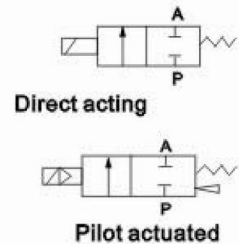


## PU Series Solenoid Valve



Symbol



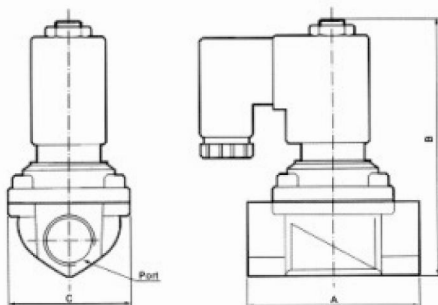
### How to Order

<b>PU</b>	<b>220</b>	-	<b>01</b>	-	<b>AC110V</b>	-	<b>E</b>
PU:Two-position two-way	Acting type 220:Direct acting 225:Pilot actuated		Port connection 01:1/8 02:1/4 03:3/8 04:1/2 06:3/4 08:1 12:1 1/4 14:1 1/2 20:2		Voltage DC12V DC24V AC24V 50Hz/60Hz AC110V 50Hz/60Hz AC220V 50Hz/60Hz AC380V 50Hz/60Hz		Seal Blank:NBR V:VITON E:EPDM

### Technical data

Model	PU220-01	PU220-02	PU220-03	PU220-04	PU220-06	PU220-08	PU225-03	PU225-04	PU225-06
Working medium	Air, Water, Oil								
Acting type	220: Direct acting / 225: Pilot actuated								
State when not actuated	Normal Closed Type						N.O .and N.C. for option		
CV	0.10	0.18	1.00	4.00	8.60	11.00	4.50	4.50	12.00
Port connection	G1/8	G1/4	G3/8	G1/2	G3/4	G1	G3/8	G1/2	G3/4
Fluid viscosity	Below 50 CST								
Working pressure	0~0.7MPa								
Proof pressure	1.05MPa								
Operating temperature range	-5+80°C								

### Dimensions(mm)



Model	Port	A	B	C
PU220-01	G1/8	22	72	22
PU220-02	G1/4	35	75.5	25.4
PU220-03	G3/8	55	79.5	30
PU220-04	G1/2	66.5	101	48
PU220-06	G3/4	71	107	58
PU220-08	G1	96	120	70
PU225-03	G3/8	66.5	107.5	48
PU225-04	G1/2	66.5	106.5	48
PU225-06	G3/8	96.5	125.0	70