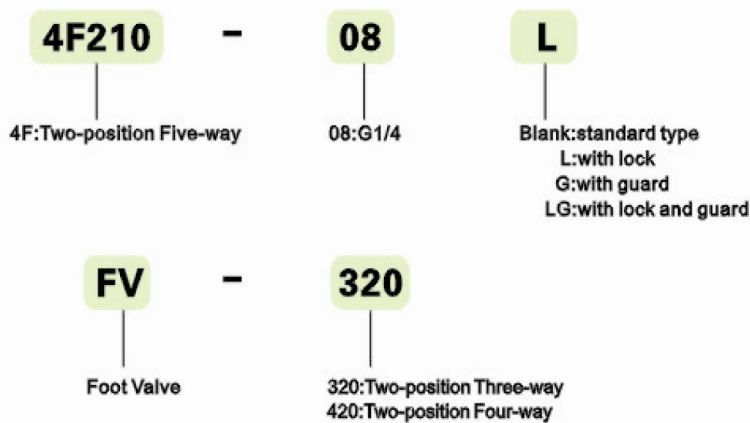


Foot Valves



How to Order

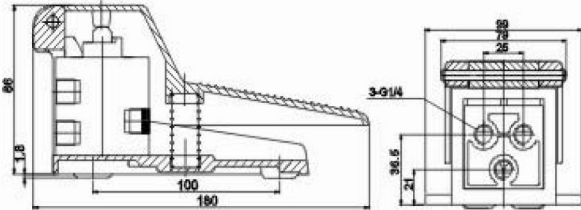


Technical data

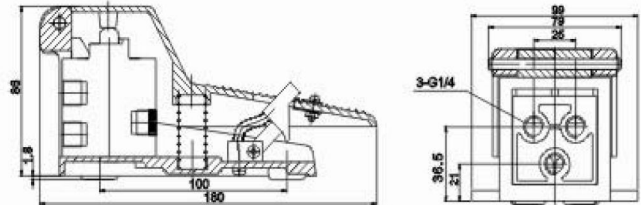
Model	4F210-08	4F210-08L	4F210-08G	4F210-08LG	FV420	FV320
Working medium	Filtered Air					
Position number	Two-position Five-way			Two-position Four-way	Two-position Three-way	
Port connection	Air Inlet=Air Outlet=Exhaust=G1/4			Air Inlet=Air Outlet=G1/4, Exhaust=G1/8		
Working-pressure range	0~0.8MPa					
Operating temperature range	0~60°C					

Dimensions(mm)

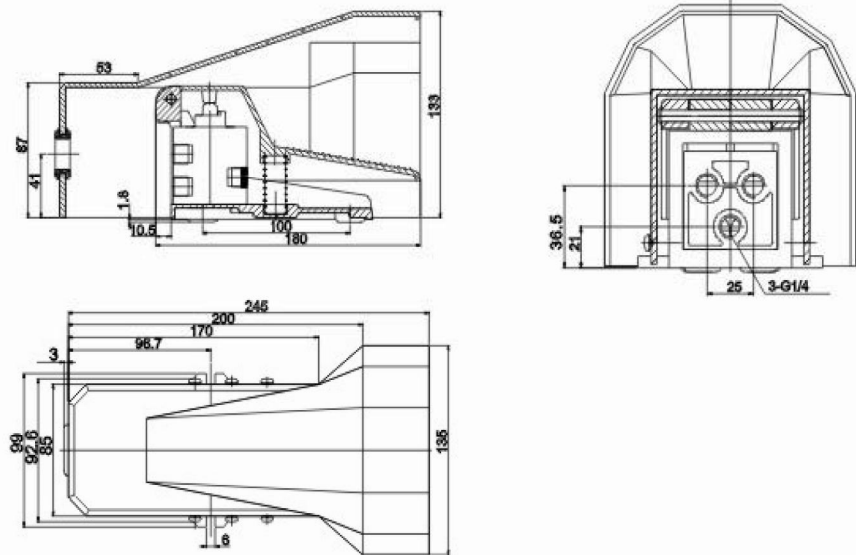
4F210-08



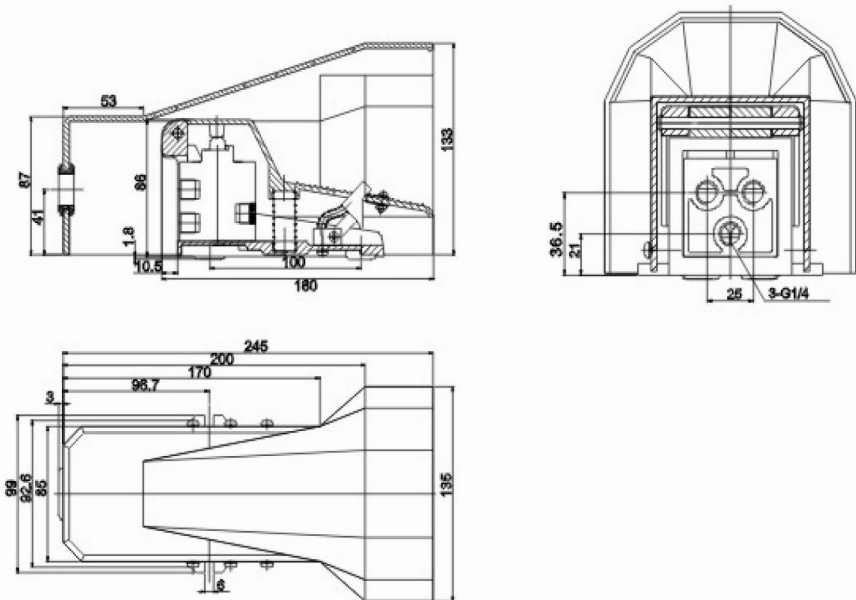
4F210-08L



4F210-08G



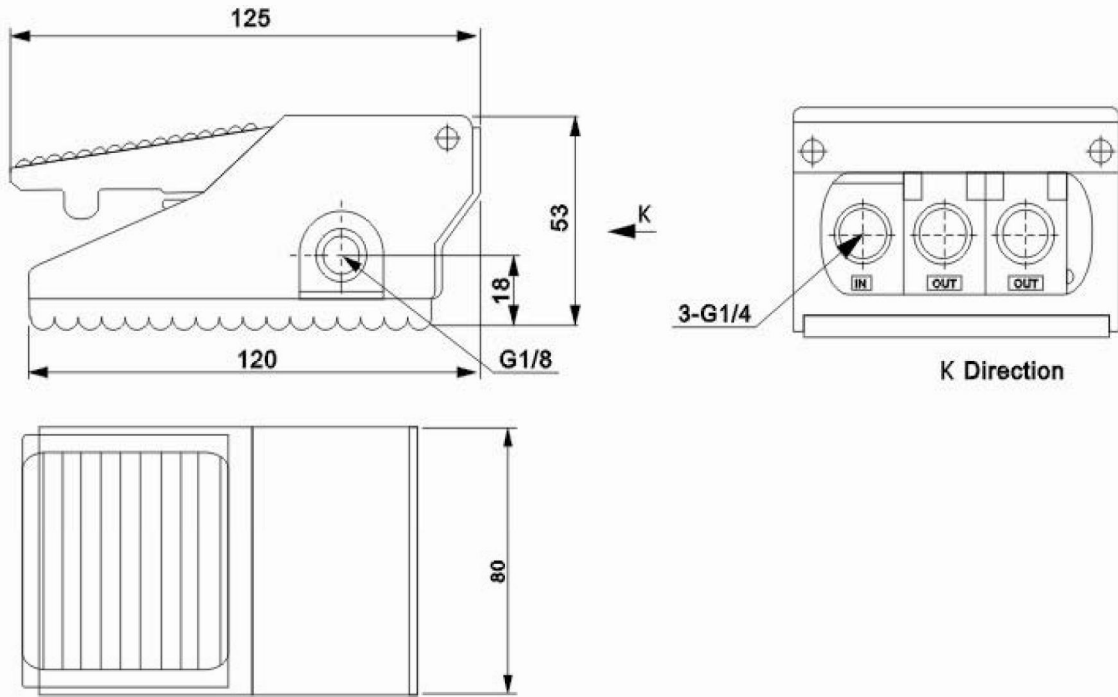
4F210-08LG



Foot Valve

Dimensions(mm)

FV420



FV320

