

Air Preparation

SMC Old Type Equivalents



Filter+Regulator+Lubricator



Filter Regulator+Lubricator



Filter Regulator



Filter



Regulator



Lubricator



Auto drain,ZDPS



Auto drain,AD400



Bracket

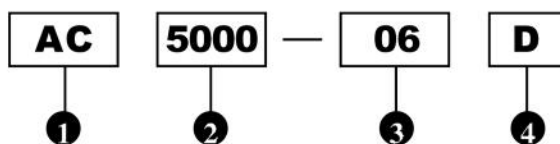
Air Preparation

SMC Old Type Equivalents

Specifications:

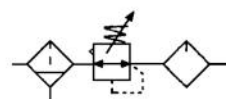
Type	AC1000-M5	AC2000	AC3000	AC4000	AC5000	
Port size (G)	M5	1/8'' · 1/4''	1/4'' · 3/8''	3/8'' · 1/2''	3/4'' · 1''	
Gauge thread (G)	1/16''	1/8''		1/4''		
Fluid	Air					
Pressure range(Mpa)	0.05~0.7	0.05~0.99				
Max.Flow rate(Nl/min)	90	500	2000	4000	5000	
Ambient temperature	-10~60℃					
Filter rating	Standard: 5 μm					
Oil recommended	Turbine Oil(ISO VG32)					
Cup material	Polycarbonate					
Regulator construction	Relieving style					
Optional	Guard cup	—	—	●	●	●
	Bracket	10L	20L	30L	40L	50L

How to order:

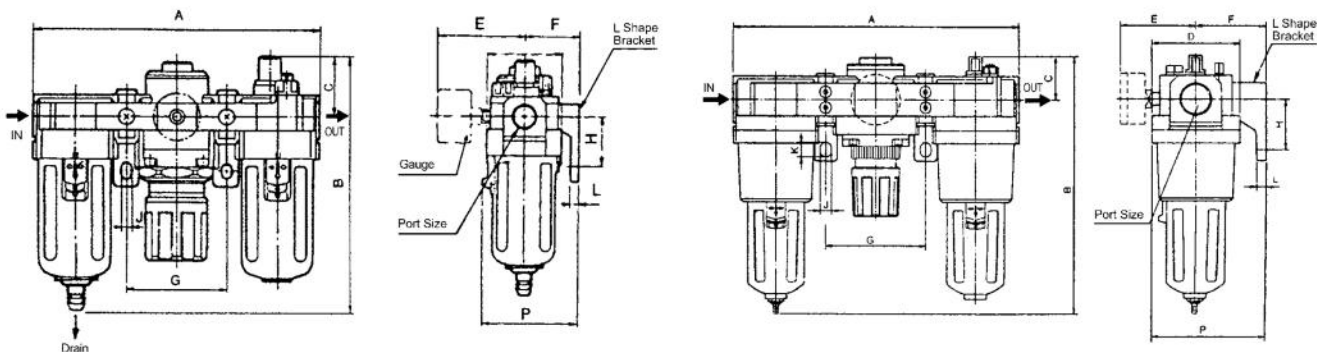


①	AC Filter+Regulator+Lubricator
②	Type: 1000,2000,3000,4000,5000
③	Port size: M5:M5, 01:G1/8" ,02:G1/4" ,03:G3/8" ,04:G1/2" ,06:G3/4" ,10:G1"
④	□: Differential pressure drain, D: Auto-drain, ZDPS

Symbol:



Dimensions(mm):



Type	Port Size	A	B	C	D	E	F	G	H	J	K	L	P
AC1000	M5 × 0.8	91	84.5	25.5	25	26	25	33	20	4.5	7.5	5	38.5
AC2000	G1/8 · G1/4	140	145.5	38	40	55	30	50	24	5.5	8.5	5	50
AC3000	G1/4 · G3/8	181	156.5	38	53	60.8	41	64	35	7	11	7	70.5
AC4000	G3/8 · G1/2	238	191.5	41	70	65.5	50	84	40	9	13	7	88
AC5000	G3/4 · G1	300	272	48	90	76	70	105	50	12	16	10	115

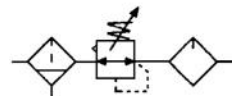
Air Preparation

SMC Old Type Equivalents

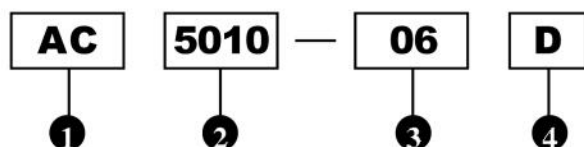
Specifications:

Type	AC1010-M5	AC2010	AC3010	AC4010	AC5010	
Port size (G)	M5	1/8" · 1/4"	1/4" · 3/8"	3/8" · 1/2"	3/4" · 1"	
Gauge thread(G)	1/16"	1/8"		1/4"		
Fluid	Air					
Pressure range(Mpa)	0.05~0.7	0.05~0.99				
Max.Flow rate(Nl/min)	90	500	2000	4000	5000	
Ambient temperature	-10~60℃					
Filter rating	Standard: 5 μm					
Oil recommended	Turbine Oil(ISO VG32)					
Cup material	Polycarbonate					
Regulator construction	Relieving style					
Optional	Guard cup	—	—	●	●	●
	Bracket	10T	20T	30T	40T	50T

Symbol:

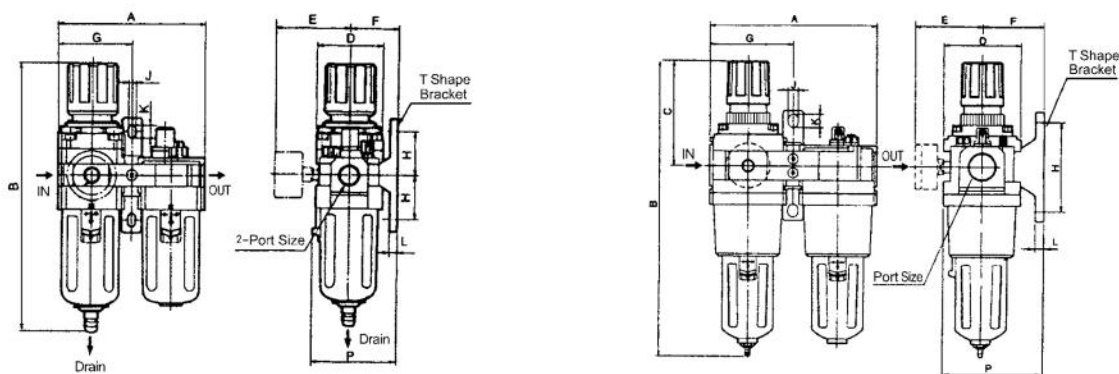


How to order:



①	AC Filter Regulator+Lubricator
②	Type: 1010,2010,3010,4010,5010
③	Port size: M5:M5, 01:G1/8" ,02:G1/4" ,03:G3/8" ,04:G1/2" ,06:G3/4" ,10:G1"
④	□: Differential pressure drain, D: Auto-drain, ZDPS

Dimensions(mm):



Type	Port Size	A	B	C	D	E	F	G	H	J	K	L	P
AC1010	M5 × 0.8	58	109.5	50.5	25	26	25	29	20	4.5	7.5	5	38.5
AC2010	G1/8 • G1/4	90	164.5	78	40	56.8	30	45	24	5.5	8.5	5	50
AC3010	G1/4 • G3/8	117	211	92.5	53	60.8	41	58.5	35	7	11	7	70.5
AC4010	G3/8 • G1/2	154	262.5	112	70	70.5	50	77	40	9	13	7	88
AC5010	G3/4 • G1	195	330	120	90	75	70	97.5	100	12	16	10	115

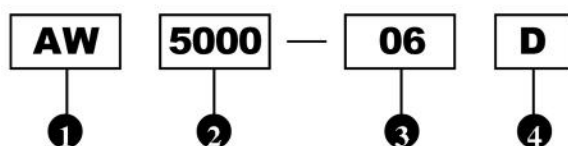
Air Preparation

SMC Old Type Equivalents

Specifications:

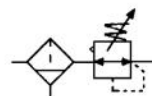
Type	AW1000-M5	AW2000	AW3000	AW4000	AW5000
Port size (G)	M5	1/8"・1/4"	1/4"・3/8"	3/8"・1/2	3/4"・1"
Gauge thread(G)	1/16"	1/8"		1/4"	
Fluid	Air				
Pressure range(Mpa)	0.05~0.7	0.05~0.99			
Ambient temperature	-10~60℃				
Filter rating	Standard: 5 μm				
Cup material	Polycarbonate				
Guard cup	—	—	●	●	●

How to order:

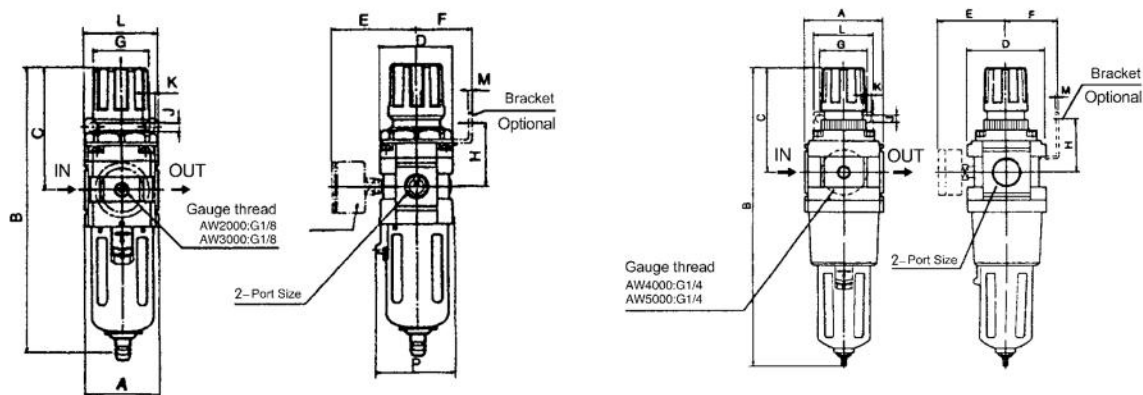


①	AW Filter Regulator
②	Type: 1000,2000,3000,4000,5000
③	Port size: M5:M5, 01:G1/8" ,02:G1/4" ,03:G3/8" ,04:G1/2" ,06:G3/4" ,10:G1"
④	□: Differential pressure drain, D: Auto-drain, ZDPS

Symbol:



Dimensions(mm):



Type	Port Size	A	B	C	D	E	F	G	H	J	K	L	M	N	P
AW1000	M5 × 0.8	25	109.5	50.5	25	26	25	28	30	4.5	6.5	40	2.0	20.5	28
AW2000	G1/8 • G1/4	40	164.5	78	40	56.8	30	34	44	5.4	15.4	55	2.3	33.5	40
AW3000	G1/4 • G3/8	53	211	92.5	53	60.8	41	40	46	6.5	8	53	2.3	42.5	56
AW4000	G3/8 • G1/2	70	262.5	112	70	70.5	50	54	4	8.5	10.5	70	2.3	52.5	73
AW5000	G3/4 • G1	90	330	120	90	75	70	54	63	8.5	10.5	8.5	2.3	52.5	90

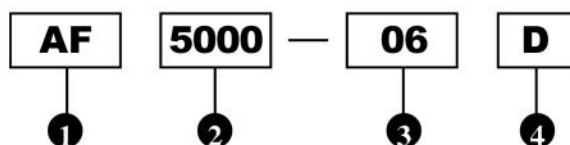
Air Preparation

SMC Old Type Equivalents

Specifications:

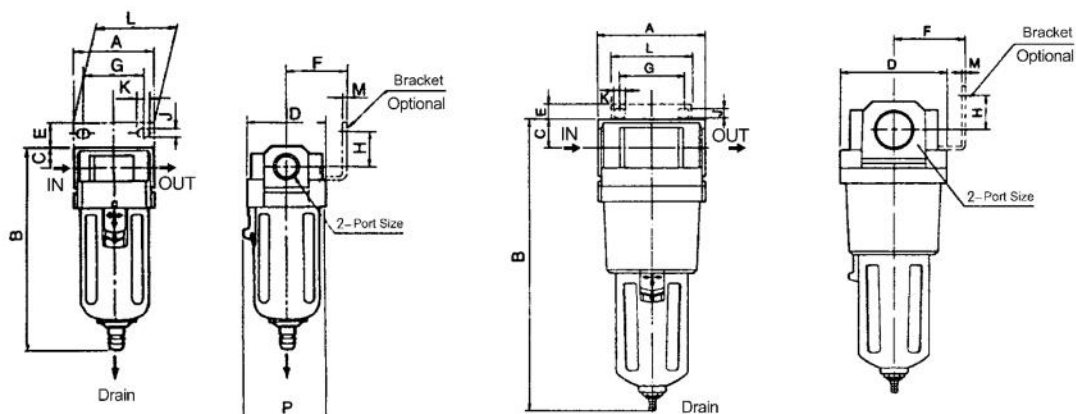
Type	AF1000-M5	AF2000	AF3000	AF4000	AF5000
Port size (G)	M5	1/8" · 1/4"	1/4" · 3/8"	3/8" · 1/2"	3/4" · 1"
Fluid	Air				
Pressure range(Mpa)	0.05~0.7	0.05~0.99			
Ambient temperature	-10~60℃				
Filter rating	Standard: 5 μm				
Cup material	Polycarbonate				
Guard cup	—	—	●	●	●

How to order:



①	AF Filter
②	Type: 1000,2000,3000,4000,5000
③	Port size: M5:M5, 01:G1/8" ,02:G1/4" ,03:G3/8" ,04:G1/2" ,06:G3/4" ,10:G1"
④	<input type="checkbox"/> : Differential pressure drain, D: Auto-drain, ZDPS

Dimensions(mm):



Type	Port Size	A	B	C	D	E	F	G	H	J	K	L	M	P
AF1000	M5 × 0.8	25	66	7	25	-	-	-	-	-	-	-	-	26.5
AF2000	G1/8 · G1/4	40	97.5	11	40	17	30	27	22	5.4	8.4	40	2.3	40
AF3000	G1/4 · G3/8	53	132.5	14	53	16	41	40	23	6.5	8	53	2.3	56
AF4000	G3/8 · G1/2	70	168.5	18	70	17	50	54	26	8.5	10.5	70	2.3	73
AF5000	G3/4 · G1	90	244	24	90	23	70	54	25	8.5	10.5	70	2.3	90

Symbol:



Air Preparation

SMC Old Type Equivalents

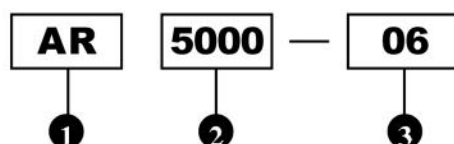
Specifications:

Type	AR1000-M5	AR2000	AR3000	AR4000	AR5000
Port size (G)	M5	1/8'' · 1/4''	1/4'' · 3/8''	3/8'' · 1/2	3/4'' · 1''
Gauge thread(G)	1/16''	1/8''		1/4''	
Fluid	Air				
Pressure range(Mpa)	0.05~0.7	0.05~0.99			
Ambient temperature	-10~60℃				

Symbol:

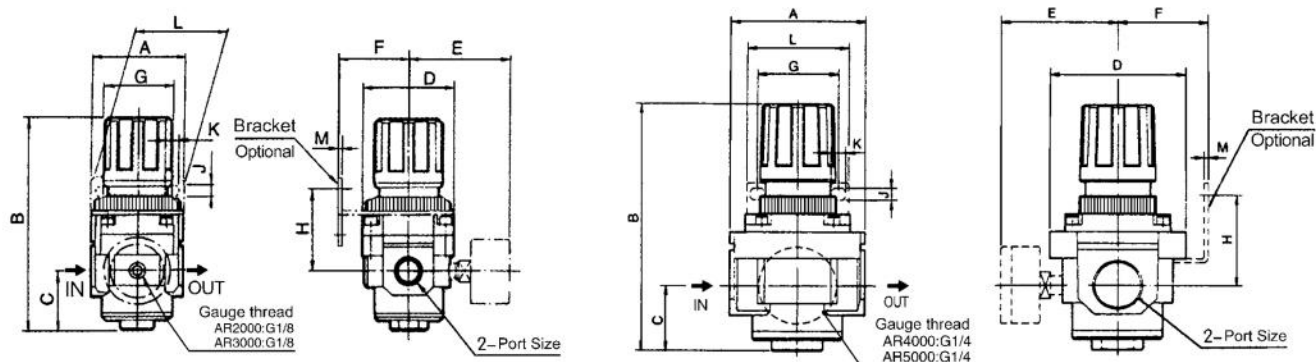


How to order:



①	AR Regulator
②	Type: 1000,2000,3000,4000,5000
③	Port size: M5:M5, 01:G1/8" ,02:G1/4" ,03:G3/8" ,04:G1/2" ,06:G3/4" ,10:G1"

Dimensions (mm):



Type	Port Size	A	B	C	D	E	F	G	H	J	K	L	M	N
AR1000	M5 × 0.8	25	61.5	11	25	26	25	28	30	4.5	6.5	40	2.0	20.5
AR2000	G1/8 · G1/4	40	95	17	40	56.8	30	34	45	5.4	15.4	55	2.3	33.5
AR3000	G1/4 · G3/8	53	127.5	35	53	60.8	41	40	46	6.5	8	53	2.3	42.5
AR4000	G3/8 · G1/2	70	149.5	37.5	70	65.5	50	54	54	8.5	10.5	70	2.3	52.5
AR5000	G3/4 · G1	90	164	48	90	75	47	42	63	8.5	10.5	65	2.3	52.5

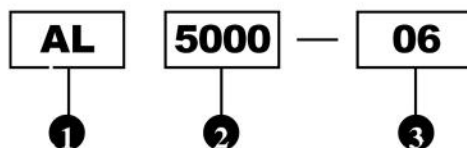
Air Preparation

SMC Old Type Equivalents

Specifications:

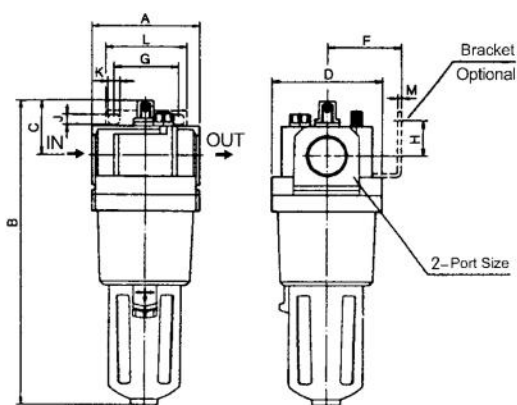
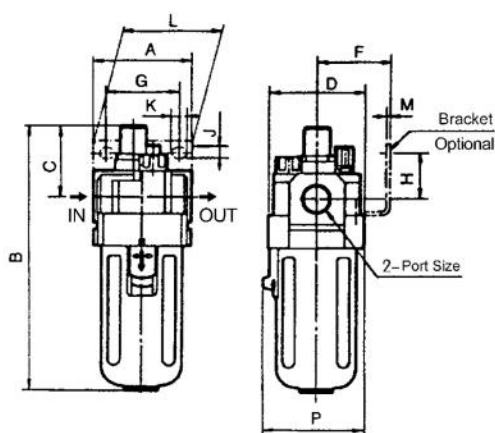
Type	AL1000-M5	AL2000	AL3000	AL4000	AL5000
Port size (G)	M5	1/8" · 1/4"	1/4" · 3/8"	3/8" · 1/2"	3/4" · 1"
Fluid	Air				
Pressure range(Mpa)	0.05~0.7	0.05~0.99			
Max.Flow rate(Nl/min)	95	800	1700	5000	7000
Ambient temperature	-10~60°C				
Filter rating	Standard: 5 µm				
Oil recommended	Turbine Oil(ISO VG32)				
Cup material	Polycarbonate				
Guard cup	-	-	●	●	●

How to order:



①	AL Lubricator
②	Type: 1000,2000,3000,4000,5000
③	Port size: M5:M5, 01:G1/8" ,02:G1/4" ,03:G3/8" ,04:G1/2" ,06:G3/4" ,10:G1"

Dimensions(mm):



Type	Port Size	A	B	C	D	F	G	H	J	K	L	M	P
AL1000	M5 × 0.8	25	81.5	25.5	25	-	-	-	-	-	-	-	27
AL2000	G1/8 · G1/4	40	122	38	40	30	27	22	5.4	8.4	40	2.3	40
AL3000	G1/4 · G3/8	53	142	38	53	41	40	23	6.5	8	53	2.3	56
AL4000	G3/8 · G1/2	70	177	41	70	50	54	26	8.5	10.5	70	2.3	73
AL5000	G3/4 · G1	90	254	45	90	70	54	25	8.5	10.5	70	2.3	90

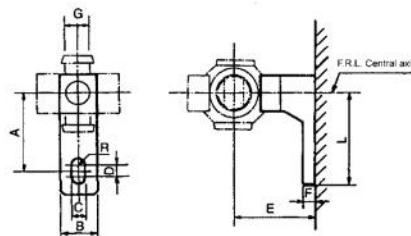
Symbol:



Air Preparation

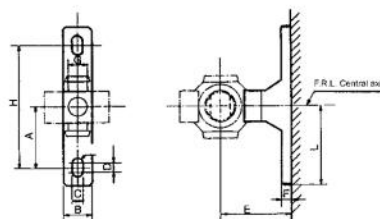
SMC Old Type Equivalents

L type bracket



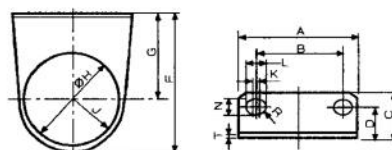
Type	A	B	C	D	E	F	G	R	L	Applicable type
AC10L	20	12	4.5	3	25	5	6	2.25	27	AC1000~AC1010
AC20L	24	15	5.5	3	30	5	10	2.75	33	AC2000~AC2010
AC30L	35	16	7	4	41	7	11	3.5	45	AC3000~AC3010
AC40L	40	22	9	4	50	7	14	4.5	50	AC4000~AC4010
AC50L	50	24	12	4	70	10	15	6.0	62.5	AC5000~AC5010

T type bracket



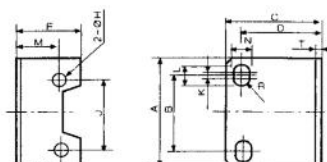
Type	A	B	C	D	E	F	G	H	R	L	Applicable type
AC10T	20	12	4.5	3	25	5	8	40	2.25	27	AC1000~AC1010
AC20T	24	15	5.5	3	30	5	10	48	2.75	33	AC2000~AC2010
AC30T	35	16	7	4	41	7	11	70	3.5	45	AC3000~AC3010
AC40T	40	22	9	4	50	7	14	80	4.5	50	AC4000~AC4010
AC50T	50	24	12	4	70	10	15	100	6.0	62.5	AC5000~AC5010

Bracket



Type	A	B	C	D	F	G	H	J	K	L	N	R	T	Applicable type
AR101	40	28	17	11	37.8	25.5	20.5	12.3	2	6.5	4.5	2.25	2.0	AR/AW1000
AR201	55	34	25	19	50	30	33.5	20	10	15.4	5.4	2.7	2.3	AR/AW2000
AR301	53	40	21.5	14	64	39	42.5	25	1.5	8	6.5	3.25	2.3	AR/AW3000
AR401	70	54	27	18	79.2	49.2	52.5	30	2	10.5	8.5	4.25	2.3	AR/AW4000~5000

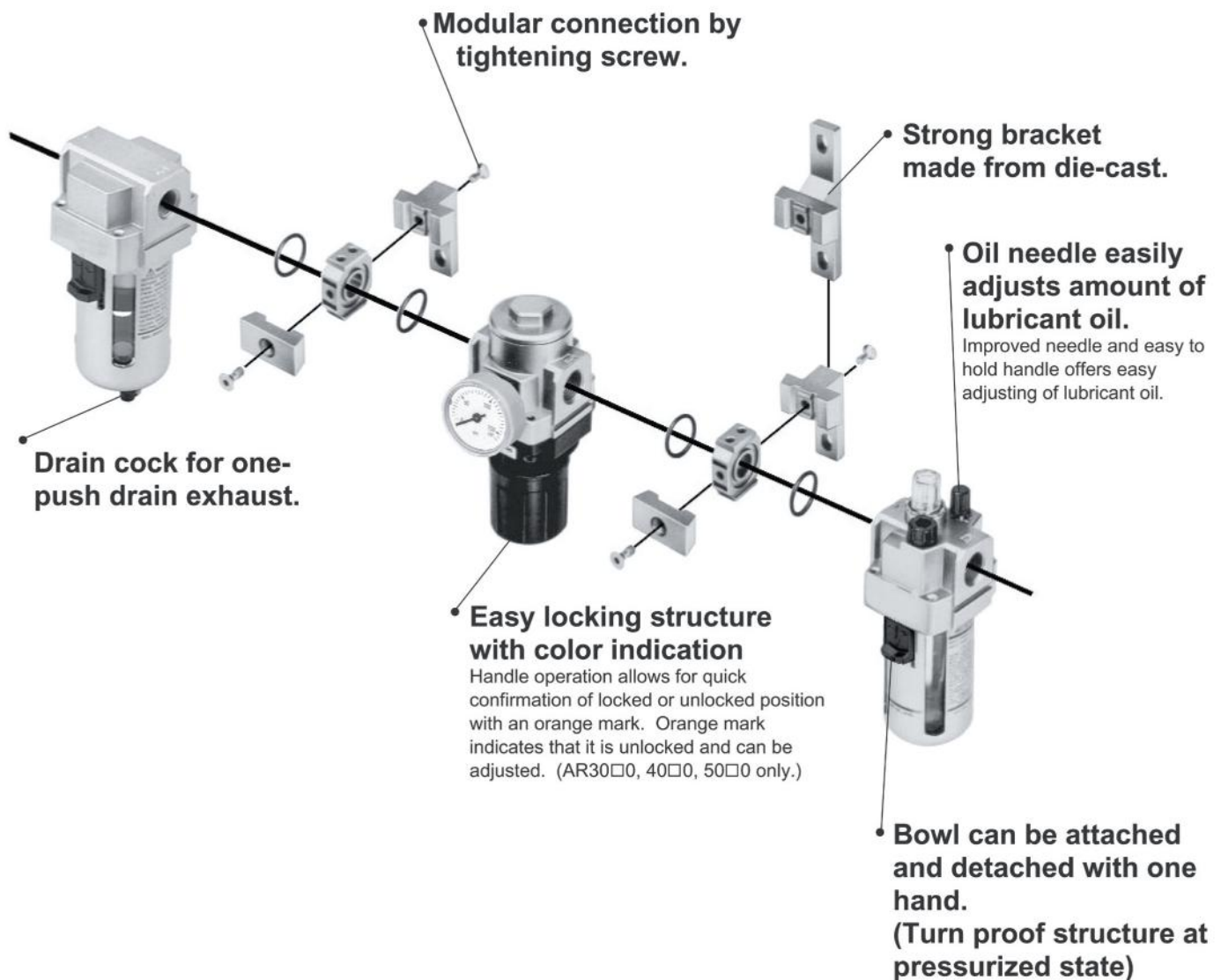
Bracket



Type	A	B	C	D	F	H	J	K	L	M	N	R	T	Applicable type
AF101	40	27	33	27	18	4.5	26	3	8.4	14	5.4	2.7	2.3	AF/AL1000
AF201	53	40	39	32	22.5	4.5	35	1.5	8	19	6.5	3.25	2.3	AF/AL2000
AF301	70	54	47	38	31.5	5.5	47	2	10.5	20	8.5	4.25	2.3	AF/AL3000
AF401	70	54	47	38	27.5	5.5	47	2	10.5	20	8.5	4.25	2.3	AF/AL4000
AF501	90	66	64	52	43	6.5	60	2	13	29	11	5.5	3.2	AF/AL5000

Air Preparation

SMC Old Type Equivalents



Air Preparation

SMC Old Type Equivalents

Automatic drain(ZDPS)

It is mounted at the bottom of automatic drain and, air filter, to automatically discharge the accumulated water.



Auto-drain

It is usually used to automatically drain water at low points of air system including pipes, air dryer, oil and water separator, air tank and various air filters, suitable to be mounted at places not convenient for manual water discharge, i.e. high and low points or places with small space, especially where air flow is high and water discharge is frequent, to prevent compressed air from re-contamination in case operator forget to discharge the water.

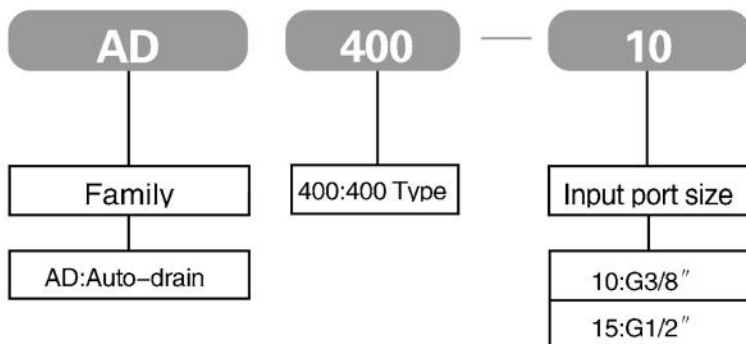
Specifications:

Type	AD400-10	AD400-15
Medium	Air	
Input port size(G)	3/8"	1/2"
Output size(G)	1/4"	3/8"
Proof pressure(Mpa)	1.5	
Max.working pressure(Mpa)	1	
Ambient temperature range	5-60°C	

Symbol:



How to order:



Dimensions(mm):

